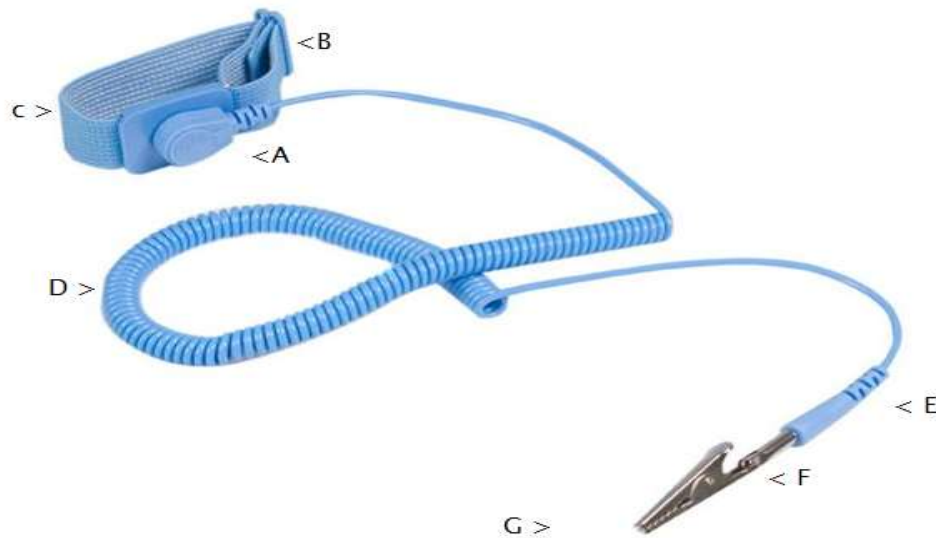


SPECIFICATIONS: PART NUMBER USC108-AS ESD WRIST STRAP AND GROUND CORD ASSEMBLY

NOTE: Compliant to ANSI ESD S20.20-2021, Table 2, Page 6, Personnel Grounding Requirement Product Qualification (per ANSI/ESD S1.1) and ESD TR-53 (wrist strap section) Compliance Verification



A: 3/8 inch ground cord socket snaps on 3/8 wrist strap stud.

B: Side adjustable D ring fastener maintains intimate skin to stainless steel metal backing plate contact.

C: Heavy Duty Conductive Elastic Band.

D: Internally braided 8' or 12' long (when fully extended) ground cord.

E: Strain relief (see details below)

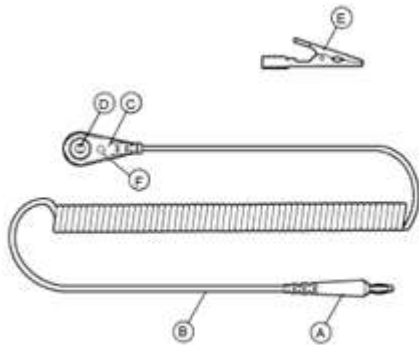
F: Banana Plug (see details below)

G: Alligator clip (included) may be slipped over banana plug for optional grounding (see details below).

WRIST STRAP MATERIAL SPECIFICATIONS:

- Inner Surface: 20 threads conductive Acrylonitrile-Copper Sulfide dye composition fiber + 60 threads same color polyester fiber blend.
- Outer Surface: Light blue polyester fiber
- Inner Surface Resistance: 200-300 ohms per inch
- Plastic Parts: Polycarbonate
- Metal Base: Stainless Steel
- Stud 3/8" nickel plated brass

GROUND CORD LEGEND & SPECIFICATIONS



- A:** Barrel type banana plug with strain relief. Note: Fits industry standard banana jack with a size of .166 inch (4.22mm).
- B:** High flex tinsel wound inside core with heavy duty blue insulating jacket.
- C:** One megohm, ¼ watt, series resistor molded within snap assembly to limit stray current and provide operator safety.
- D:** Spring loaded 3/8 inch snap socket.
- E:** Alligator clip (included) may be slipped over banana plug for optional grounding.
- F:** Optional code imprint.

GROUND CORD MATERIAL SPECIFICATIONS:

- Conductor: 7-Strand single tinsel wire
- Resistance: 1 Meg Ohm +/- 10% (Banana-To-Snap)
- Jacket Insulation: 90 Shore A polyurethane
- Wire Diameter: 0.09"
- Coil Diameter: 0.04"± 0.02"
- Cable Break Load < 28 lbs.
- Pull Force (molded plug end) < 25 lbs.
- Bending Test: 2,000 Bending cycle / hour
- 500g Load Weight >120°

Revision History:

PN: USC108-AS ESD WRIST STRAP AND GROUND CORD ASSEMBLY, ELASTIC BAND, SIDE ADJUSTABLE	
Document Number: SRC10109B	12.22.19: Initial Release
Approved: SRC	1.7.23: Updated footer to Pueblo CO Facility

End of Document